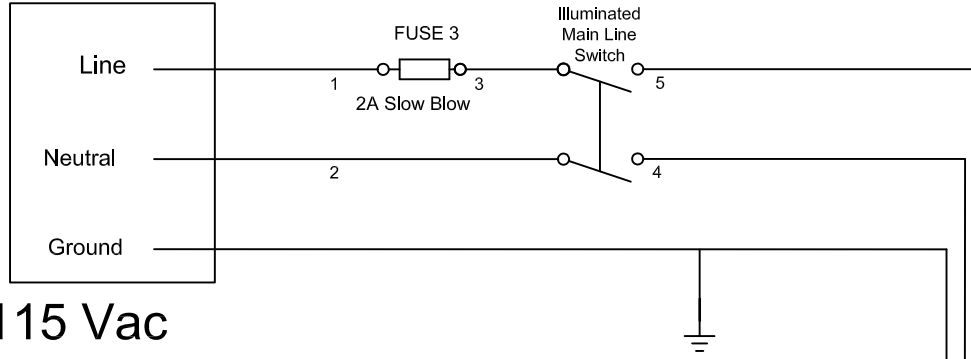


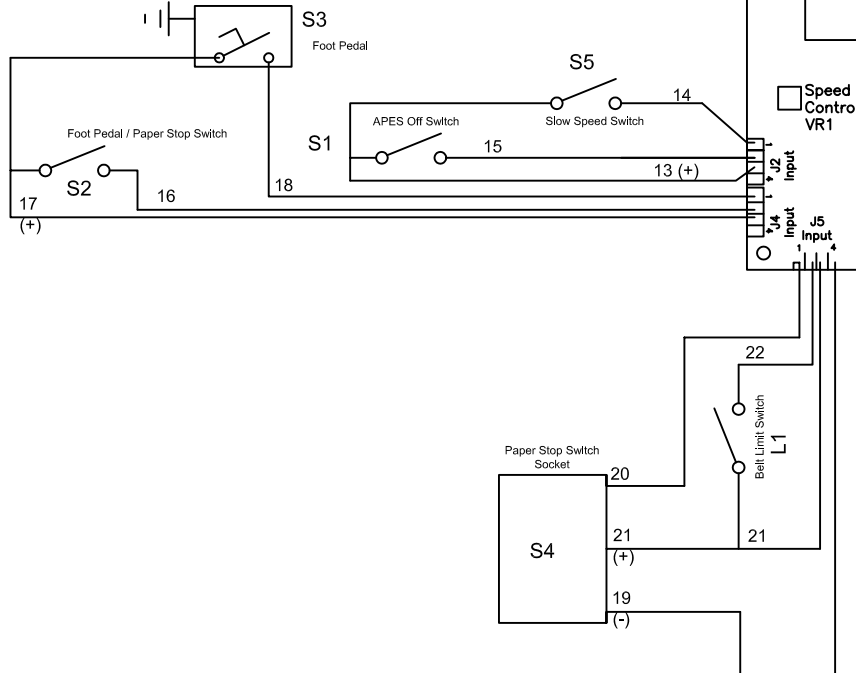
**Power Entry Module**



115 Vac

**FUSE REPLACEMENT TABLE**

|                          |
|--------------------------|
| FUSE 1 = 1 Amp (outputs) |
| FUSE 2 = 1.6 Amp (logic) |
| FUSE 3 = 2 Amp Slow      |



**Paper Pivot Motor**

